

# Load Rating Chart

***Model 50128SHL***



© Manitex 2000

**NOTE:** Additional copies of this Load Rating Chart can be purchased from your Manitex Distributor. When ordering, use the part number shown in the bottom left corner of this page.

## LMI OPERATING CODES

CODE	CRANE CONFIGURATION	OUTRIGGER CONFIGURATION	AREA OF OPERATION
#1	MAIN BOOM	FULLY EXTENDED	OVER REAR
#3	MAIN BOOM	FULLY EXTENDED	FULL 360°
#4	MAIN BOOM	MID POSITION	FULL 360°
#5	MAIN BOOM	RETRACTED	FULL 360°
#7	RETRACTED JIB 0° OFFSET	FULLY EXTENDED	OVER REAR
#8	RETRACTED JIB 0° OFFSET	FULLY EXTENDED	FULL 360°
#9	RETRACTED JIB 15° OFFSET	FULLY EXTENDED	OVER REAR
#10	RETRACTED JIB 15° OFFSET	FULLY EXTENDED	FULL 360°
#11	RETRACTED JIB 30° OFFSET	FULLY EXTENDED	OVER REAR
#12	RETRACTED JIB 30° OFFSET	FULLY EXTENDED	FULL 360°
#13	EXTENDED JIB 0° OFFSET	FULLY EXTENDED	OVER REAR
#14	EXTENDED JIB 0° OFFSET	FULLY EXTENDED	FULL 360°
#15	EXTENDED JIB 15° OFFSET	FULLY EXTENDED	OVER REAR
#16	EXTENDED JIB 15° OFFSET	FULLY EXTENDED	FULL 360°
#17	EXTENDED JIB 30° OFFSET	FULLY EXTENDED	OVER REAR
#18	EXTENDED JIB 30° OFFSET	FULLY EXTENDED	FULL 360°
#19	RETRACTED JIB 0° OFFSET	MID POSITION	FULL 360°
#20	RETRACTED JIB 15° OFFSET	MID POSITION	FULL 360°
#21	RETRACTED JIB 30° OFFSET	MID POSITION	FULL 360°
#22	EXTENDED JIB 0° OFFSET	MID POSITION	FULL 360°
#23	EXTENDED JIB 15° OFFSET	MID POSITION	FULL 360°
#24	EXTENDED JIB 30° OFFSET	MID POSITION	FULL 360°
#25	PERSONNEL LIFTING MAIN BOOM	FULLY EXTENDED	FULL 360°
#26	PERSONNEL LIFTING RETR JIB 0° OFFSET	FULLY EXTENDED	FULL 360°
#27	PERSONNEL LIFTING RETR JIB 15° OFFSET	FULLY EXTENDED	FULL 360°
#28	PERSONNEL LIFTING RETR JIB 30° OFFSET	FULLY EXTENDED	FULL 360°
#29	PERSONNEL LIFTING EXTENDED JIB 0° OFFSET	FULLY EXTENDED	FULL 360°
#30	PERSONNEL LIFTING EXTENDED JIB 15° OFFSET	FULLY EXTENDED	FULL 360°
#31	PERSONNEL LIFTING EXTENDED JIB 30° OFFSET	FULLY EXTENDED	FULL 360°

### **WARNING**

1. THE OPERATOR MUST READ AND UNDERSTAND THE OWNER'S MANUAL BEFORE OPERATING THIS CRANE.
2. POSITIONING OR OPERATION OF CRANE BEYOND AREAS SHOWN ON THIS CHART IS NOT INTENDED OR APPROVED EXCEPT WHERE SPECIFIED IN OWNER'S MANUAL.
3. LOADED BOOM ANGLES AT SPECIFIED BOOM LENGTHS GIVE ONLY AN APPROXIMATION OF THE OPERATING RADIUS. THE BOOM ANGLE BEFORE LOADING SHOULD BE GREATER TO ACCOUNT FOR DEFLECTIONS. DO NOT EXCEED THE OPERATING RADIUS FOR RATED LOADS.
4. THE OPERATING RADIUS SHOWN IN THE JIB RATING CHART IS FOR FULLY EXTENDED BOOM ONLY. WHEN BOOM IS NOT FULLY EXTENDED, USE ONLY LOADED BOOM ANGLE TO DETERMINE LOAD RATING OF JIB.
5. FOR BOOM ANGLES NOT SHOWN ON JIB LOAD RATING CHART, USE RATING OF NEXT LOWER BOOM ANGLE.

## **WARNING (CONTINUED)**


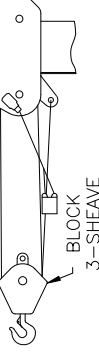

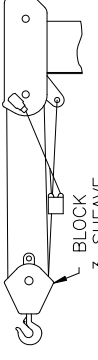
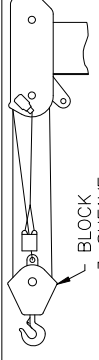
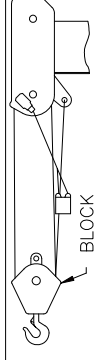
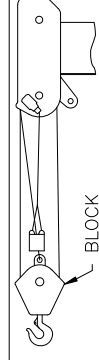
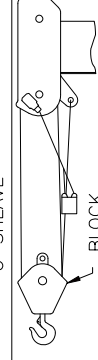
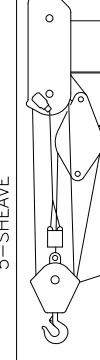

6. FOR BOOM LENGTHS NOT SHOWN, USE RATING OF NEXT SHORTER OR LONGER BOOM LENGTH, WHICHEVER IS LESS. FOR RADII NOT SHOWN, USE RATING OF NEXT LONGER RADIUS.
7. CRANE LOAD RATINGS ON OUTRIGGERS ARE BASED ON FREELY SUSPENDED LOADS WITH THE MACHINE LEVELED AND STANDING ON A FIRM UNIFORM SUPPORTING SURFACE. NO ATTEMPT SHALL BE MADE TO MOVE A LOAD HORIZONTALLY ON THE GROUND IN ANY DIRECTION.
8. PRACTICAL WORKING LOADS DEPEND ON SUPPORTING SURFACE, WIND, AND OTHER FACTORS AFFECTING STABILITY SUCH AS HAZARDOUS SURROUNDINGS, EXPERIENCE OF PERSONNEL, AND PROPER HANDLING, ALL OF WHICH MUST BE TAKEN INTO ACCOUNT BY THE OPERATOR.
9. THE MAXIMUM LOAD WHICH MAY BE TELESCOPED IS LIMITED BY HYDRAULIC PRESSURE, BOOM ANGLE, AND BOOM LUBRICATION. IT IS SAFE TO ATTEMPT TO TELESCOPE ANY LOAD WITHIN THE LIMITS OF THE LOAD RATING CHART.

## **INFORMATION**

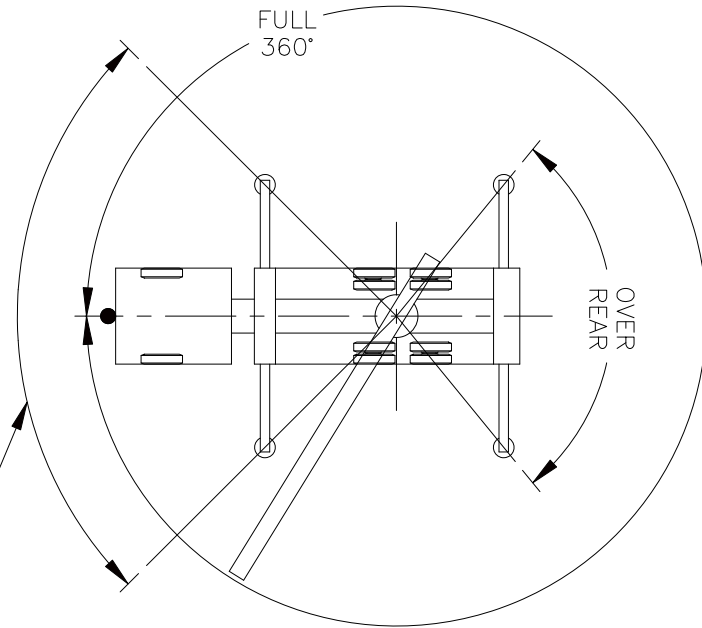
1. DEDUCTIONS MUST BE MADE FROM RATED LOADS FOR JIB, OPTIONAL ATTACHMENTS, HOOKS, AND LOADBLOCKS (SEE DEDUCTION CHART). WEIGHTS OF SLINGS AND ALL OTHER LOAD HANDLING DEVICES SHALL BE CONSIDERED A PART OF THE LOAD.
2. LOAD RATINGS ABOVE THE HEAVY LINE ARE STRUCTURALLY LIMITED CAPACITIES. LOAD RATINGS BELOW THE HEAVY LINE ARE STABILITY LIMITED CAPACITIES AND DO NOT EXCEED 85% OF TIPPING.

## **DEFINITIONS**

1. OPERATING RADIUS IS THE HORIZONTAL DISTANCE FROM THE AXIS OF ROTATION TO THE CENTER OF THE VERTICAL HOIST LINE OR TACKLE WITH LOAD APPLIED.
2. LOADED BOOM ANGLE IS THE INCLUDED ANGLE BETWEEN THE HORIZONTAL AND LONGITUDINAL AXES OF THE BOOM BASE AFTER LIFTING RATED LOAD AT RATED RADIUS.

ALLOWABLE LINE PULL										<b>WARNING</b>
1 PART LINE	2 PART LINE	3 PART LINE	4 PART LINE	5 PART LINE	6 PART LINE	7 PART LINE	8 PART LINE	9 PART LINE	10 PART LINE	
										ANTI-TWO-BLOCK SYSTEM MUST BE IN GOOD OPERATING CONDITION BEFORE OPERATING CRANE.  REFER TO THE OWNER'S MANUAL.  KEEP AT LEAST 3 WRAPS OF LOAD LINE ON THE DRUM AT ALL TIMES.
10000 LBS	20000 LBS	30000 LBS	40000 LBS	50000 LBS	60000 LBS	70000 LBS	80000 LBS	90000 LBS	100000 LBS	

## AREA OF OPERATIONS



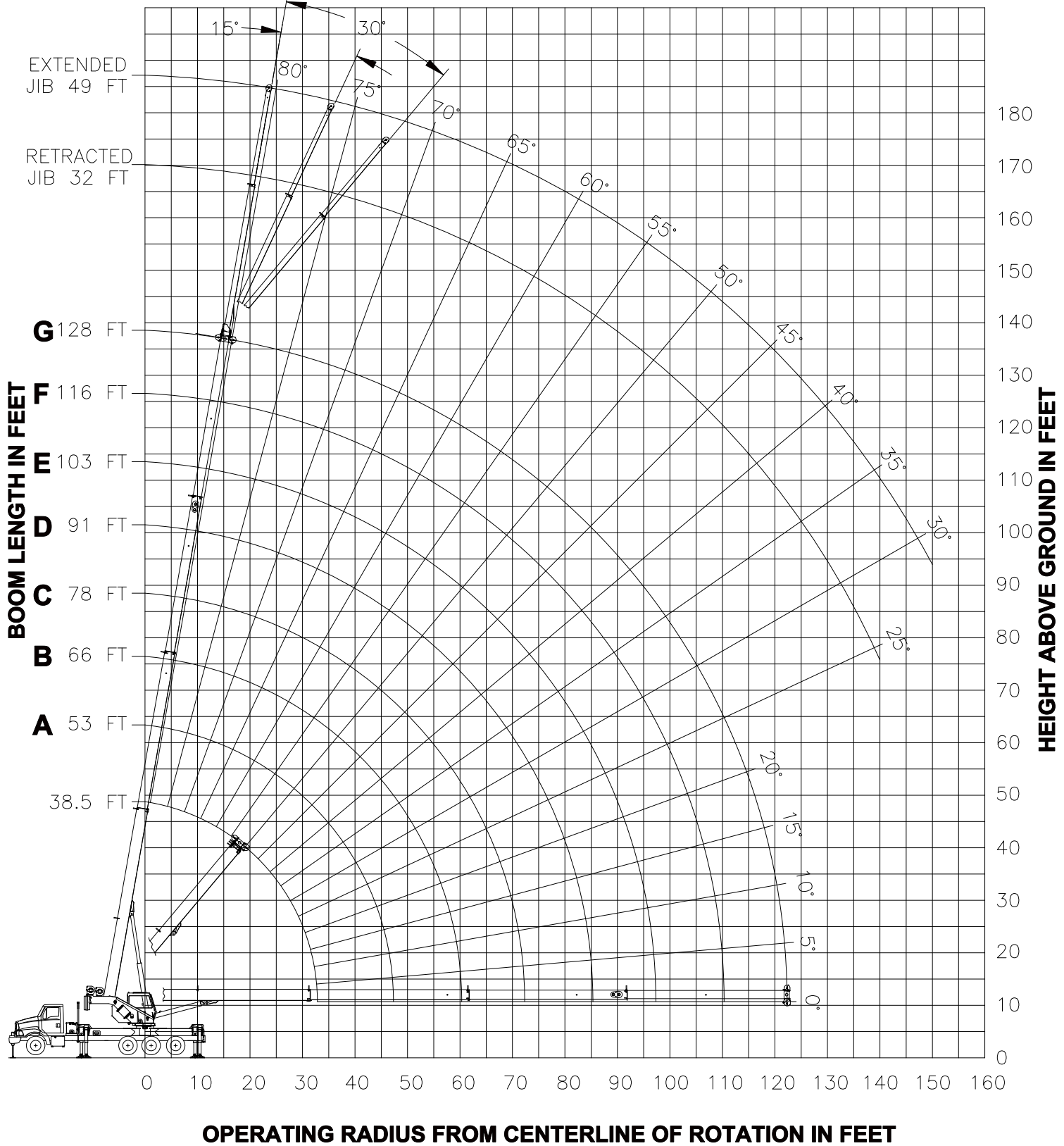
IF SUPPLIED, THE FRONT BUMPER STABILIZER MUST BE SET IN ACCORDANCE TO THE OPERATORS MANUAL BEFORE WORKING IN THIS AREA.

IF A FRONT BUMPER STABILIZER WAS NOT SUPPLIED, THEN THE FRONT TIRES MUST BE IN CONTACT WITH THE GROUND BEFORE WORKING IN THIS AREA.

### DEDUCTIONS FROM RATED LOADS FOR LOAD HANDLING DEVICES SUPPLIED BY MANITEX

AUXILIARY BLOCK	-----	50 LBS
ROOSTER SHEAVE	-----	70 LBS
LIFTING FROM MAIN BOOM WITH JIB STOWED OR ERECTED	-----	SEE LOAD CHART
OVERHAUL BALL	-----	SEE MANUFACTURER NAMEPLATE
LOAD BLOCK	-----	SEE MANUFACTURER NAMEPLATE

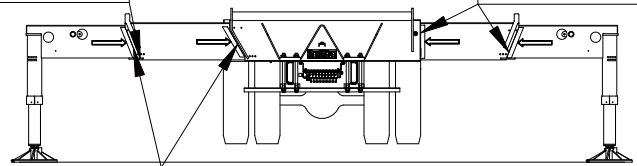
**- RANGE DIAGRAM -**



**USE THIS CHART ONLY  
WHEN ALL OUTRIGGER  
BEAMS ARE FULLY  
EXTENDED**

PINS MUST BE  
DISENGAGED FOR  
THIS OUTRIGGER  
CONFIGURATION

OUTRIGGER  
BEAMS MUST  
BE EXTENDED  
TO MARK

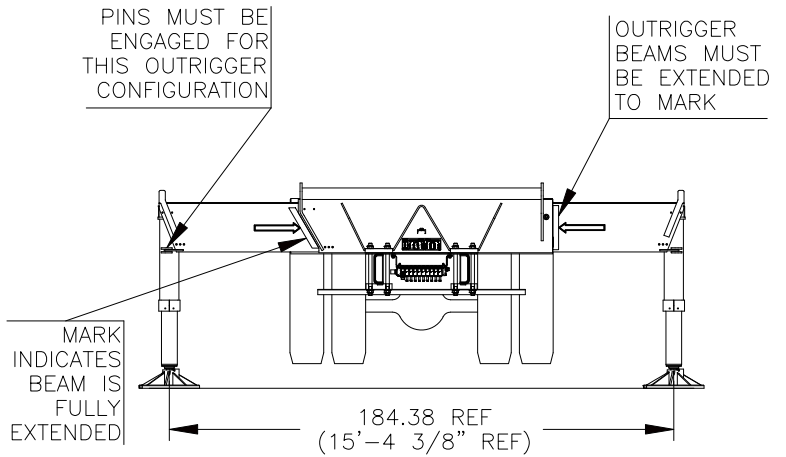


**MAIN BOOM LIFTING CAPACITIES**

LOAD RADIUS (FT)	BOOM LENGTH 38.5 FT			BOOM LENGTH 53 FT (A)			BOOM LENGTH 66 FT (B)			BOOM LENGTH 78 FT (C)			LOAD RADIUS (FT)		
	LOADED BOOM ANGLE (DEG)	CODE 1 OVER REAR (LBS)	CODE 3 FULL 360° (LBS)	LOADED BOOM ANGLE (DEG)	CODE 1 OVER REAR (LBS)	CODE 3 FULL 360° (LBS)	LOADED BOOM ANGLE (DEG)	CODE 1 OVER REAR (LBS)	CODE 3 FULL 360° (LBS)	LOADED BOOM ANGLE (DEG)	CODE 1 OVER REAR (LBS)	CODE 3 FULL 360° (LBS)			
6	73.5	100000	100000										6		
8	70.5	86600	86600										8		
10	67	76400	76400	74.5	51000	51000	78	51000	51000				10		
12	64	68400	68400	72.5	51000	51000	76.5	51000	51000	79	41710	41710	12		
15	59	59000	59000	68.5	51000	51000	73.5	46650	46650	77	37880	37880	15		
20	49.5	47700	47700	62.5	45700	45700	69	39300	39300	73	32140	32140	20		
25	38.5	39000	39000	56	38400	38400	64	33450	33450	69	27890	27890	25		
30	23.5	30200	30200	49.5	32180	32180	59	29140	29140	65	24230	24230	30		
35				41.5	26690	25000	54	25490	25490	61	21310	21310	35		
40				32	22530	19530	48	22520	20030	56.5	19160	19160	40		
45				18.5	18340	15660	42	19680	16180	52	17070	16460	45		
50							34.5	17070	13320	46.5	15330	13600	50		
55							25	14910	11110	41	13850	11400	55		
60							7	9790	9300	35	12560	9640	60		
65										27	11450	8210	65		
70										16	9840	7000	70		
												DEDUCTIONS FOR MAIN BOOM CAPACITIES			
			1230 LBS				890 LBS				720 LBS			610 LBS	STOWED JIB
			2840 LBS				2620 LBS				2500 LBS			2430 LBS	ERECTED JIB (RETRACTED)
			3170 LBS				2860 LBS				2700 LBS			2600 LBS	ERECTED JIB (EXTENDED)

LOAD RADIUS (FT)	BOOM LENGTH 91 FT (D)			BOOM LENGTH 103 FT (E)			BOOM LENGTH 116 FT (F)			BOOM LENGTH 128 FT (G)			LOAD RADIUS (FT)		
	LOADED BOOM ANGLE (DEG)	CODE 1 OVER REAR (LBS)	CODE 3 FULL 360° (LBS)	LOADED BOOM ANGLE (DEG)	CODE 1 OVER REAR (LBS)	CODE 3 FULL 360° (LBS)	LOADED BOOM ANGLE (DEG)	CODE 1 OVER REAR (LBS)	CODE 3 FULL 360° (LBS)	LOADED BOOM ANGLE (DEG)	CODE 1 OVER REAR (LBS)	CODE 3 FULL 360° (LBS)			
15	79	30000	30000										15		
20	76	26010	26010	78.5	22790	22790							20		
25	72.5	22620	22620	75.5	20160	20160	78	17660	17660				25		
30	69.5	20000	20000	72.5	18080	18080	75.5	16060	16060	77.5	13000	13000	30		
35	66	17710	17710	70.5	16070	16070	73	14480	14480	75.5	12760	12760	35		
40	62.5	15740	15740	67.5	14360	14360	70.5	13050	13050	73	11760	11760	40		
45	59	14050	14050	64	12900	12900	68	11780	11780	71	10800	10800	45		
50	55	12620	12620	60.5	11610	11610	65	10640	10640	68.5	10000	10000	50		
55	50.5	11380	11380	57	10500	10500	62	9890	9890	66	9130	9130	55		
60	46.5	10340	9840	53.5	9760	9760	59	8970	8970	63.5	8320	8320	60		
65	41.5	9630	8420	50	8860	8550	56	8160	8160	60.5	7570	7570	65		
70	36.5	8770	7230	46	8060	7360	53	7430	7430	58	6910	6910	70		
75	30	8000	6230	41.5	7350	6360	49.5	6780	6460	55	6300	6300	75		
80	22	7320	5360	37	6720	5500	46	6180	5610	52	5750	5680	80		
85	7	5290	4590	31.5	6140	4760	42.5	5650	4870	49	5250	4940	85		
90				25	5630	4110	38	5160	4220	46	4790	4300	90		
95				15.5	5160	3530	33.5	4720	3650	42	4370	3730	95		
100							28.5	4310	3140	38.5	3980	3220	100		
105							21.5	3940	2680	34	3620	2770	105		
110							7.5	3610	2250	29.5	3300	2360	110		
115										23.5	2990	1980	115		
120										15	2710	1640	120		
												DEDUCTIONS FOR MAIN BOOM CAPACITIES			
			520 LBS				460 LBS				410 LBS			370 LBS	STOWED JIB
			2370 LBS				2330 LBS				2300 LBS			2280 LBS	ERECTED JIB (RETRACTED)
			2520 LBS				2460 LBS				2410 LBS			2380 LBS	ERECTED JIB (EXTENDED)

**USE THIS CHART ONLY  
WHEN ALL OUTRIGGER  
BEAMS ARE IN THE MID  
POSITION**

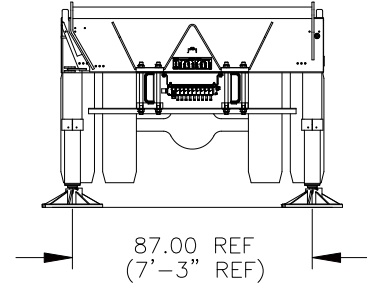


**MAIN BOOM LIFTING CAPACITIES**

LMI CODE 4																	
LOAD RADIUS (FT)	BOOM LENGTH 38.5 FT		BOOM LENGTH 53 FT (A)		BOOM LENGTH 66 FT (B)		BOOM LENGTH 78 FT (C)		BOOM LENGTH 91 FT (D)		BOOM LENGTH 103 FT (E)		BOOM LENGTH 116 FT (F)		BOOM LENGTH 128 FT (G)		LOAD RADIUS (FT)
	LOADED BOOM ANGLE (DEG)	FULL 360° (LBS)	LOADED BOOM ANGLE (DEG)	FULL 360° (LBS)	LOADED BOOM ANGLE (DEG)	FULL 360° (LBS)	LOADED BOOM ANGLE (DEG)	FULL 360° (LBS)	LOADED BOOM ANGLE (DEG)	FULL 360° (LBS)	LOADED BOOM ANGLE (DEG)	FULL 360° (LBS)	LOADED BOOM ANGLE (DEG)	FULL 360° (LBS)	LOADED BOOM ANGLE (DEG)	FULL 360° (LBS)	
6	73.5	100000															6
8	70.5	86600															8
10	67	76400	74.5	51000	78	51000											10
12	64	68400	72.5	51000	76.5	51000	79	41710									12
15	59	59000	68.5	51000	73.5	46650	77	37880	79	30000							15
20	49.5	33110	62.5	34220	69	34780	73	32140	76	26010	78.5	22790					20
25	38.5	21590	56	22580	64	23070	69	23370	72.5	22620	75.5	20160	78	17660			25
30	23.5	15180	49.5	16150	59	16600	65	16870	69.5	17080	72.5	17220	75.5	16060	77.5	13000	30
35			41.5	12060	54	12490	61	12750	66	12940	70.5	13080	73	13190	75.5	12760	35
40			32	9220	48	9650	56.5	9990	62.5	10080	67.5	10210	70.5	10320	73	10390	40
45			18.5	7100	42	7560	52	7810	59	7990	64	8110	68	8210	71	8290	45
50					34.5	5960	46.5	6210	55	6390	60.5	6510	65	6610	68.5	6680	50
55					25	4680	41	4940	50.5	5120	57	5240	62	5340	66	5400	55
60					7	3610	35	3920	46.5	4100	53.5	4220	59	4310	63.5	4380	60
65							27	3060	41.5	3250	50	3370	56	3460	60.5	3530	65
70							16	2330	36.5	2540	46	2660	53	2750	58	2810	70
75									30	1920	41.5	2050	49.5	2140	55	2200	75
80									22	1390	37	1520	46	1610	52	1680	80
85									7	890	31.5	1060	42.5	1160	49	1220	85
90																	90

DEDUCTIONS FOR JIB FROM MAIN BOOM CAPACITIES								
1230 LBS	890 LBS	720 LBS	610 LBS	520 LBS	460 LBS	410 LBS	370 LBS	STOWED
2840 LBS	2620 LBS	2500 LBS	2430 LBS	2370 LBS	2330 LBS	2300 LBS	2280 LBS	RETR
3170 LBS	2860 LBS	2700 LBS	2600 LBS	2520 LBS	2460 LBS	2410 LBS	2380 LBS	EXTEND

**USE THIS CHART WHEN ALL  
OUTRIGGER BEAMS ARE NOT IN  
EITHER THE MID OR FULLY  
EXTENDED POSITION**



**MAIN BOOM LIFTING CAPACITIES**

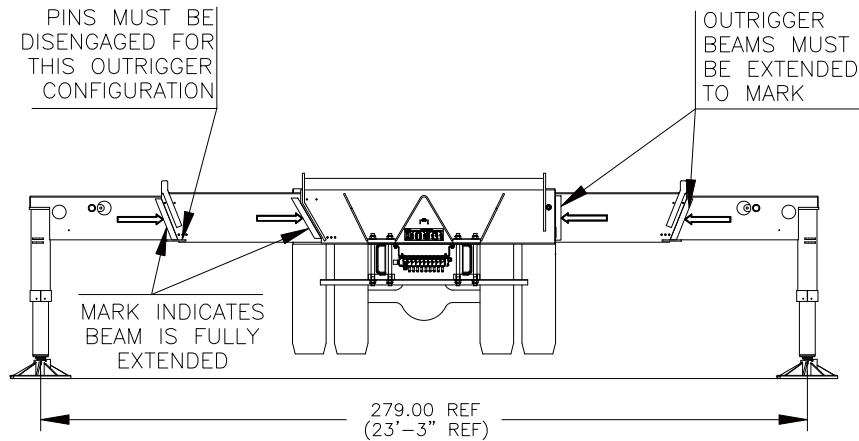
LMI CODE 5													
LOAD RADIUS (FT)	BOOM LENGTH 38.5 FT		BOOM LENGTH 53 FT (A)		BOOM LENGTH 66 FT (B)		BOOM LENGTH 78 FT (C)		BOOM LENGTH 91 FT (D)		BOOM LENGTH 103 FT (E)		LOAD RADIUS (FT)
	LOADED BOOM ANGLE (DEG)	FULL 360° (LBS)	LOADED BOOM ANGLE (DEG)	FULL 360° (LBS)	LOADED BOOM ANGLE (DEG)	FULL 360° (LBS)	LOADED BOOM ANGLE (DEG)	FULL 360° (LBS)	LOADED BOOM ANGLE (DEG)	FULL 360° (LBS)	LOADED BOOM ANGLE (DEG)	FULL 360° (LBS)	
6	73.5	100000											6
8	70.5	60800											8
10	67	39680	74.5	40900	78	41540							10
12	64	28640	72.5	29700	76.5	30250	79	30590					12
15	59	19350	68.5	20280	73.5	20750	77	21050	79	21280			15
20	49.5	11410	62.5	12240	69	12660	73	12910	76	13110	78.5	13250	20
25	38.5	7160	56	7960	64	8340	69	8580	72.5	8760	75.5	8880	25
30	23.5	4460	49.5	5290	59	5660	65	5880	69.5	6050	72.5	6170	30
35			41.5	3450	54	3830	61	4050	66	4210	70.5	4320	35
40			32	2110	48	2490	56.5	2710	62.5	2870	67.5	2980	40
45			18.5	1060	42	1480	52	1690	59	1850	64	1960	45
50							46.5	890	55	1060	60.5	1160	50
55													55
DEDUCTIONS FOR STOWED JIB FROM MAIN BOOM CAPACITIES													
1230 LBS			890 LBS		720 LBS		610 LBS		520 LBS		460 LBS		

**WARNINGS**

1. THE JIB MUST BE IN THE STOWED POSITION, IF SO EQUIPPED, WHEN USING THIS OUTRIGGER CONFIGURATION.
2. DO NOT EXCEED A BOOM LENGTH OF 103 FEET WITH THIS OUTRIGGER CONFIGURATION.



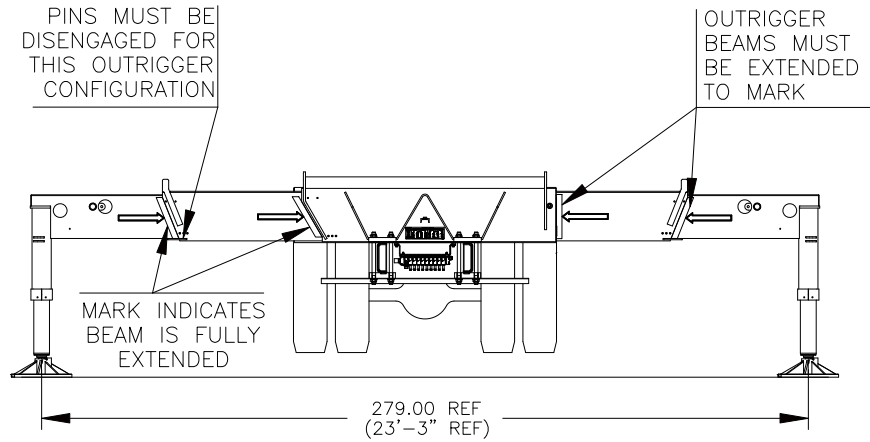
**USE THIS CHART ONLY  
WHEN ALL OUTRIGGER  
BEAMS ARE FULLY  
EXTENDED**



**32 FT RETRACTED JIB LIFTING CAPACITIES**

LOAD RADIUS (FT)	LOADED BOOM ANGLE (DEG)	0' OFFSET		15' OFFSET			30' OFFSET		
		CODE 7	CODE 8	LOADED BOOM ANGLE (DEG)	CODE 9	CODE 10	LOADED BOOM ANGLE (DEG)	CODE 11	CODE 12
		OVER REAR (LBS)	FULL 360° (LBS)		OVER REAR (LBS)	FULL 360° (LBS)		OVER REAR (LBS)	FULL 360° (LBS)
35	78	5400	5400						
40	76.5	5400	5400	79.5	5400	5400			
45	75	5400	5400	78	5400	5400			
50	73.5	5400	5400	76.5	5400	5400	79	5400	5400
55	72	5400	5400	74.5	5400	5400	77	5400	5400
60	70	5400	5400	73	5400	5400	75	5400	5400
65	68.5	5400	5400	71	5400	5400	73	5240	5240
70	66.5	5210	5210	69	5230	5230	71.5	4990	4990
75	64.5	4740	4740	67	4970	4970	69.5	4750	4750
80	62.5	4300	4300	65	4570	4570	67.5	4520	4520
85	60.5	3890	3890	63	4140	4140	65	4310	4310
90	58	3510	3510	61	3740	3740	63	3930	3930
95	55.5	3160	3160	58.5	3360	3360	60.5	3540	3540
100	53	2820	2820	56	3010	3010	58	3170	3170
105	50.5	2520	2520	53.5	2690	2690	55.5	2830	2830
110	48	2230	2170	50.5	2390	2390	52.5	2510	2510
115	45.5	1960	1800	48	2100	2020	49.5	2210	2170
120	42.5	1700	1460	45	1830	1650	46.5	1920	1780
125	39.5	1470	1150	42	1580	1320	43	1660	1430
130	36.5	1240	870	38.5	1350	1020	39.5	1400	1100
135	32.5	1030		34.5	1120		35.5	1160	
140	28.5	840		30.5	910		30.5	920	
145									

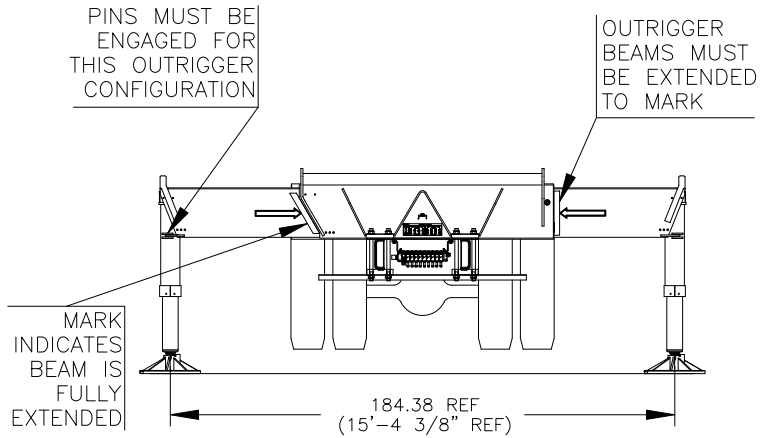
**USE THIS CHART ONLY  
WHEN ALL OUTRIGGER  
BEAMS ARE FULLY  
EXTENDED**



**49 FT EXTENDED JIB LIFTING CAPACITIES**

LOAD RADIUS (FT)	LOADED BOOM ANGLE (DEG)	0° OFFSET		15° OFFSET			30° OFFSET		
		CODE 13	CODE 14	LOADED BOOM ANGLE (DEG)	CODE 15	CODE 16	LOADED BOOM ANGLE (DEG)	CODE 17	CODE 18
		OVER REAR (LBS)	FULL 360° (LBS)		OVER REAR (LBS)	FULL 360° (LBS)		OVER REAR (LBS)	FULL 360° (LBS)
40	78	4300	4300						
45	76.5	4300	4300						
50	75	4300	4300	79.5	4300	4300			
55	73.5	4300	4300	78	4300	4300			
60	72	4300	4300	76.5	4300	4300	79.5	3700	3700
65	70.5	4300	4300	75	4300	4300	78	3590	3590
70	69	4300	4300	73.5	4230	4230	76	3490	3490
75	67.5	4300	4300	71.5	4080	4080	74	3390	3390
80	66	4240	4240	70	3930	3930	72.5	3300	3300
85	64.5	4030	4030	68.5	3760	3760	70.5	3220	3220
90	63	3740	3740	66.5	3590	3590	69	3140	3140
95	61	3430	3430	64.5	3420	3420	67	3070	3070
100	59	3120	3120	62.5	3270	3270	65	3000	3000
105	57	2840	2840	60.5	3100	3100	63	2940	2940
110	54.5	2560	2560	58	2810	2810	61	2880	2880
115	52	2310	2310	56	2540	2540	58.5	2720	2720
120	49.5	2070	2040	53.5	2280	2280	56	2450	2450
125	47	1840	1730	51	2040	2030	53.5	2190	2190
130	44.5	1630	1450	48	1810	1720	50.5	1940	1920
135	42	1430	1180	45.5	1590	1430	47.5	1700	1600
140	39.5	1240	940	42.5	1390	1160	44.5	1480	1300
145	36.5	1060		39.5	1190	910	41	1260	1020
150	33	900		36	1000		37	1050	
155				32	820		32.5	850	
160									

**USE THIS CHART ONLY  
WHEN ALL OUTRIGGER  
BEAMS ARE IN THE MID  
POSITION**



**32 FT RETRACTED JIB LIFTING CAPACITIES**

LOAD RADIUS (FT)	0° OFFSET		15° OFFSET		30° OFFSET	
	LOADED BOOM ANGLE (DEG)	CODE 19 FULL 360° (LBS)	LOADED BOOM ANGLE (DEG)	CODE 20 FULL 360° (LBS)	LOADED BOOM ANGLE (DEG)	CODE 21 FULL 360° (LBS)
35	78	5400				
40	76.5	5400	79.5	5400		
45	75	5400	78	5400		
50	73.5	5400	76.5	5400	79	5400
55	72	5190	74.5	5400	77	5400
60	70	4150	73	4760	75	5280
65	68.5	3290	71	3830	73	4300
70	66.5	2570	69	3060	71.5	3470
75	64.5	1950	67	2390	69.5	2760
80	62.5	1420	65	1820	67.5	2150
85	60.5	960	63	1320	65	1610
90			61	880	63	1140
95						

**49 FT EXTENDED JIB LIFTING CAPACITIES**

LOAD RADIUS (FT)	0° OFFSET		15° OFFSET		30° OFFSET	
	LOADED BOOM ANGLE (DEG)	CODE 22 FULL 360° (LBS)	LOADED BOOM ANGLE (DEG)	CODE 23 FULL 360° (LBS)	LOADED BOOM ANGLE (DEG)	CODE 24 FULL 360° (LBS)
40	78	4300				
45	76.5	4300				
50	75	4300	79.5	4300		
55	73.5	4300	78	4300		
60	72	4300	76.5	4300	79.5	3700
65	70.5	3930	75	4300	78	3590
70	69	3200	73.5	3920	76	3490
75	67.5	2570	71.5	3230	74	3390
80	66	2030	70	2640	72.5	3160
85	64.5	1570	68.5	2120	70.5	2590
90	63	1150	66.5	1660	69	2090
95			64.5	1250	67	1640
100			62.5	890	65	1240
105					63	880
110						